



FLIGHT Modem Product Data Sheet



Mobile

Mobile Module	4G (LTE) - Cat 4 up to 150 Mbps, 3G - Up to 42 Mbps, 2G - Up to 236.8 kbps
Status	Signal strength (RSSI), SINR, RSRP, RSRQ, EC/IO, RSCP, Bytes sent/received, connected band, IMSI, ICCID
APN	Auto APN

Wireless

Wireless Mode	IEEE 802.11b/g/n, Access Point (AP), Station (STA)
WiFi Security	WPA2-Enterprise - PEAP, WPA2-PSK, WEP, WPA-EAP, WPA-PSK; AES-CCMP, TKIP, Auto Cipher modes, client separation
Wireless Hotspot	Captive portal (Hotspot), internal/external Radius server

Ethernet

WAN	1x WAN port (can be configured to LAN) 10/100 Mbps, compliance with IEEE 802.3, IEEE 802.3u standards, supports auto MDI/MDIX
LAN	1x LAN port, 10/100 Mbps, compliance with IEEE 802.3, IEEE 802.3u standards, supports auto MDI/MDIX

Network

Routing	Static routing, Dynamic routing (BGP, OSPF v2, RIP v1/v2, RIPng, OSPF6)
Network Protocols	TCP, UDP, IPv4, IPv6, ICMP, NTP, DNS, HTTP, HTTPS, FTP, SMTP, SSL v3, TLS, ARP, VRRP, PPP, PPPoE, UPnP, SSH, DHCP, Telnet client, SNMP, MQTT, Wake On Lan (WOL)
Connection monitoring	Ping Reboot, Wget Reboot, Periodic Reboot, LCP and ICMP for link inspection
Firewall	Port forward, trac rules, custom rules

Security

Authentication	Pre-shared key, digital certificates, X.509 certificates
Firewall	Pre-configured firewall rules can be enabled via WebUI, unlimited firewall configuration via CLI; DMZ; NAT; NAT-T
Attack Prevention	DDOS prevention (SYN flood protection, SSH attack prevention, HTTP/HTTPS attack prevention), port scan prevention (SYN-FIN, SYN-RST, X-mas, NULL flags, FIN scan attacks)
Access Control	Flexible access control of TCP, UDP, ICMP packets, MAC address filter

Input / Output

Input	1x Digital input, 0 - 5 V detected as logic low, 8 - 30 V detected as logic high
Output	1x Digital open collector output, max output 30 V, 300 mA

Power

Connector	NEMA 5-15P to Standard ROJ Power Cord, Block 18/3 (18AWG 3 Conductor) SVT, 10 Amp/125 Volt
Input Voltage Range	9 - 30 VDC, reverse polarity protection, surge protection >33 VDC 10us max
Power Consumption	< 6.5 W Max

Environmental

Operating Temperature	-40 C to 75 C
Operating Humidity	10% to 90% non-condensing
Ingress Protection Rating	IP30

Regulatory

Regulatory	NEMA Rating 1,2,4,4x IP Rating IP67 per IEC 60529:1989 Ed.2+A1;A2 UL94 HB (pending)
------------	---

4G NMO Antenna

- Works on all worldwide cellular bands for voice and 4G data: LTE/CDMA/GSM/UMTS/AWS
- High gain omni-directional antenna
- Boost 698 - 960 & 1710 -2700 MHz cellular frequencies



Mounting and Antenna Options

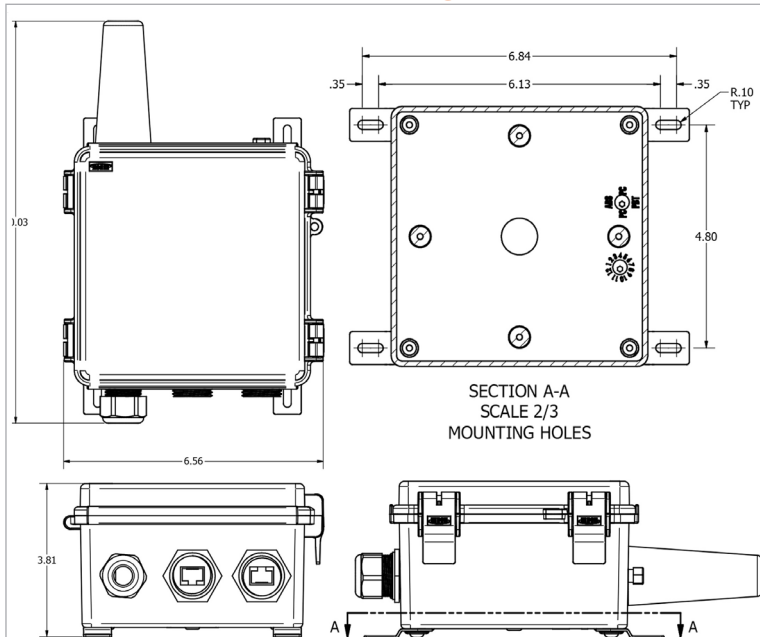
Scenario	Antenna Type	Part#	Description	When to Use	Connector	Mounting
New Install (Optional)	Stick	PR1US540	Mobile SMA Antenna	Extra antenna shipped with modem used if small signal boost needed	SMA	Local SMA Port
Antenna Relocation	Whip Magnetic	WA311125	Magnet Mount Antenna, All Modems 12"	If signal strength and quality are poor and connections drop intermittently	SMA	Ferrous metal surface magnetic
Antenna Relocation	Overland	WA311248	weBoost Drive Overland Antenna	Best when mounting needs to be elevated on a wall or pole near the modem location	SMA	Wall, Pole
Signal Booster	Mini Mage	460119	weBoost Signal 4G M2M Signal Booster Kit	When carrier connection options are minimized and difficult to move an antenna more than 20 feet away from modem mounting point	SMA	Ferrous metal surface magnetic
Directional	Directional	311245	Wide-Band Directional Antenna (50 Ohm)	Relocate antenna more than 100 feet away with low obstruction or line of sight to cell tower	SMA	Wall, Pole
Aftermarket	Cable Extension	SM15FTSF200	SMA Extension Antenna Cable Male to Female, 15FT	Aftermarket with Antenna relocation	SMA	N/A
Aftermarket	Cable Extension	SM30FTSF200	SMA Extension Antenna Cable Male to Female, 30FT	Aftermarket with Antenna relocation	SMA	N/A
Aftermarket	Cable Extension	SM50FTSF200	SMA Extension Antenna Cable Male to Female, 50FT	Aftermarket with Antenna relocation	SMA	N/A

Standard Part Numbers

CO-PILOT	DESCRIPTION	AUTO PILOT	DESCRIPTION
FCP2PortK	Flight Copilot, 2 Port, SmartSIM	FAP2PortK	Flight Autopilot, 2 Port, SmartSIM
FCP4PortK	Flight Copilot, 4 Port, SmartSIM	FAP4PortK	Flight Autopilot, 4 Port, SmartSIM

- Flight modem monthly data plan options available in 500MB or 1GB
- Seasonal data plans available upon request
- Smart SIM technology compatible with AT&T, T-Mobile, and Verizon cellular networks
- International power supply configuration and data plans available upon request

2-Port Modem (Weight is 3 lbs.)



4-Port Modem (Weight is 4.4 lbs.)

